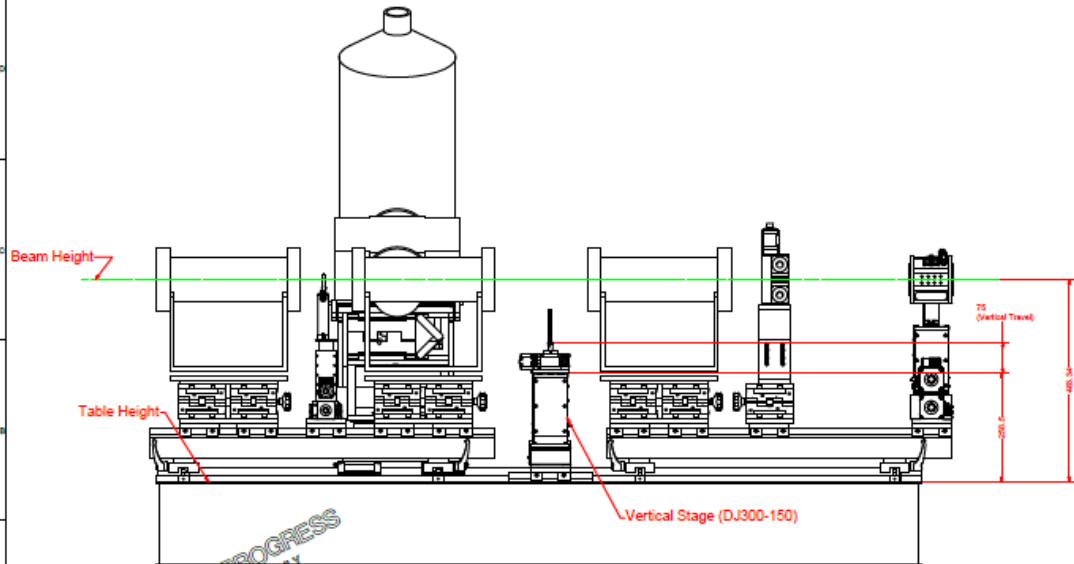
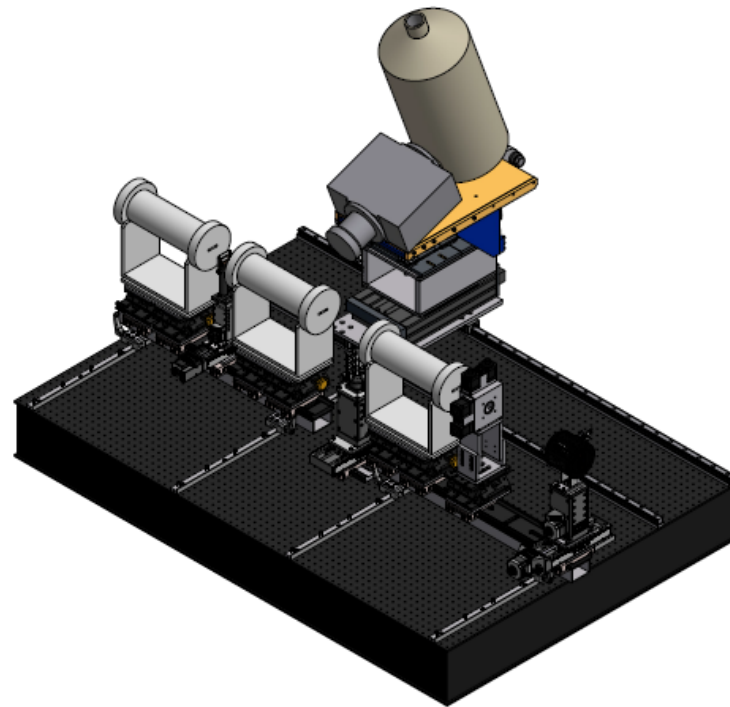
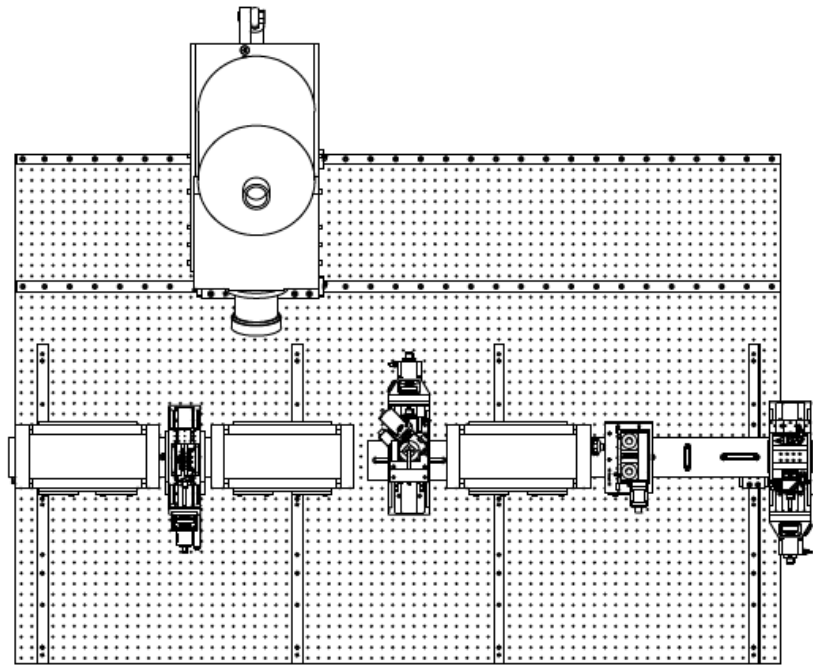
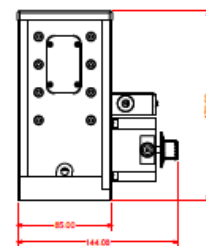
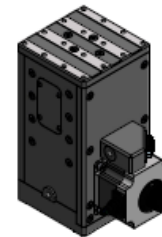
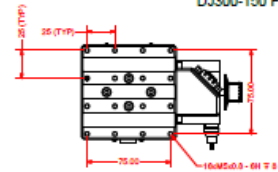


CCD1606-104 2017-01-18 16:42:33




DJ300-150 Precision Jack Assembly



WORK IN PROGRESS  
FOR REFERENCE ONLY

REVISIONS		DATE		BY		APP'D		DESCRIPTION	
1	1								Initial Release
2	1								Revised for manufacturing
3	1								Revised for assembly
4	1								Revised for testing
5	1								Revised for shipping
6	1								Revised for storage
7	1								Revised for maintenance
8	1								Revised for safety
9	1								Revised for compliance
10	1								Revised for documentation



Canadian Light Source Inc.

HOMA XAFS TABLE

1.0

1/20/2018